

# ANALYTICAL BALANCES XA/2X



XA/2X balances feature big backlit graphic display with extended menu, 12-keys membrane keyboard, big weighing chamber with sliding top and side glass doors.

Balance accuracy is guaranteed by automatic internal adjustment/calibration triggered by time flow or temperature conditions.

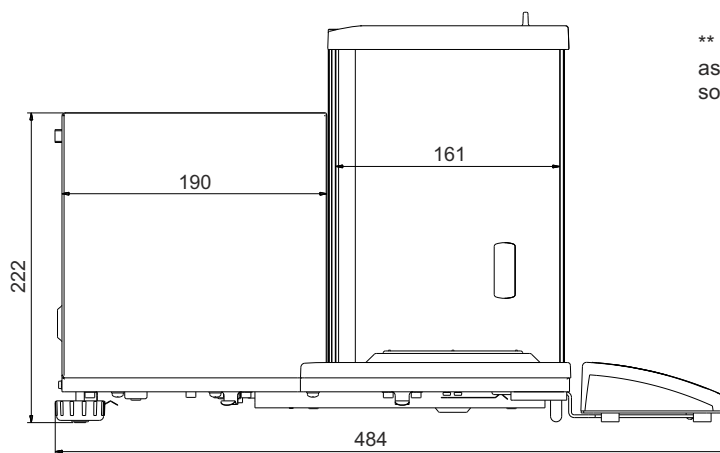
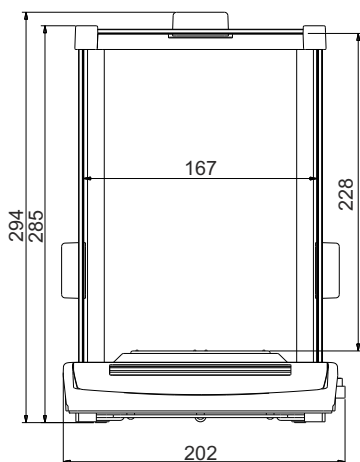
XA/2X series enables generating GLP procedures, feature RS 232 interface, USB type B interface and slot for PS/2 keyboard. Balances enable connecting additional display and possibility of weighing loads outside the main weighing platform (so called under-hook weighing).

**The USB port is available only in non-verified balances.**

- ✓ **New electronics and technological solutions!**
- ✓ **New intuitive operation and user friendly software of balances!**
- ✓ **Removable glass parts: side, top and back!**

- Parts counting
- Filling
- Animal weighing
- Density determination
- Checkweighing
- Percent setup
- Statistics
- Formulation
- Air buoyancy correction
- Pipette calibration \*\*
- GLP procedures
- Under-hook weighing

\*\* function only available as an extra option of the software



## Additional equipment:

Anti vibration table for laboratory balances	Ambient conditions module
Professional weighing table	Density determination kit
Kafka thermal printer	Additional LCD display "WD-3/01"
Impact Epson printer	PC keyboard
Label printer Citizen	Additional adapter for pipettes calibration
Holders for glass vessels	Power adapter with battery and charger ZR-02
Air density determination kit	Mass standard
Tare and "Print" foot button	Antistatic cable
PW-WIN computer software	Cable RS 232 (balance - Kafka printer) "P0136"
RAD-KEY computer software	Cable RS 232 (balance - computer) "P0108"
PIPETTES computer software	Cable RS 232 (balance - Epson , Citizen printer) "P0151"
Antistatic ionizer DJ-02	

## PARTNER CORPORATION

Str. Mures nr.63, Bucuresti, Sector 1 \* Tel/fax : 021-2242257, e-mail: office@partner.com.ro , www.partner.com.ro

**Technical data:**

	XA 52/2X <b>M</b>	XA 110/2X <b>M</b>	XA 82/220/2X** <b>M</b>
Max capacity	52 g	100 g	82/220 g
Min load	1 mg	1 mg	1 mg
Readability	0,01 mg	0,01 mg	0,01/0,1 mg
Tare range	-52 g	-100 g	-220 g
Working temperature	+10° ÷ +40°C	+10° ÷ +40°C	
Relative air humidity ***	40% ÷ 80%	40% ÷ 80%	
Repeatability *	0,02 mg	0,02 mg	0,02 mg (to 50g) 0,03 mg (50+82g) 0,08 mg (82+220g)
Linearity	± 0,06 mg	± 0,07 mg	± 0,06 / 0,2 mg
Eccentric load deviation	0,06 mg	0,07 mg	0,2 mg
Sensitivity offset		$2 \times 10^{-6} \times Rt$	
Sensitivity temperature drift		$1 \times 10^{-6} / ^\circ C \times Rt$	
Sensitivity stability		$1 \times 10^{-6} / \text{Year} \times Rt$	
Minimum weight (USP)		40 mg	
Minimum weight (U = 1%, k = 2)		4 mg	
Stabilization time	5 s	5 s	5 s / 3 s
Interface		RS 232, USB	
Power supply		13,5 ÷ 16 V DC / 2,1 A	
Adjustment / Calibration		internal (automatic) ø	
Pan size		85 mm	
Net weight/Gross weight		9 / 12 kg	
Packaging size		685 × 405 × 495 mm	

Rt - net weight

\* Repeatability is expressed as a standard deviation from 10 weighing cycles.

\*\* Balance in moveable fine range version

\*\*\* Non-condensing conditions

**Technical data:**

	XA 100/2X <b>M</b>	XA 160/2X <b>M</b>	XA 220/2X <b>M</b>	XA 310/2X <b>M</b>
Max capacity	100 g	160 g	220 g	310 g
Min load	10 mg	10 mg	10 mg	10 mg
Readability	0,1 mg	0,1 mg	0,1 mg	0,1 mg
Tare range	-100 g	-160 g	-220 g	-310 g
Working temperature			+10° ÷ +40°C	
Relative air humidity ***			40% ÷ 80%	
Repeatability *	0,08 mg	0,08 mg	0,08 mg	0,08 mg (to 220g) 0,2 mg (220g+310g)
Linearity	±0,2 mg	±0,2 mg	±0,2 mg	±0,3 mg
Eccentric load deviation	0,2 mg	0,2 mg	0,2 mg	0,3 mg
Sensitivity offset			$2 \times 10^{-6} \times Rt$	
Sensitivity temperature drift			$1 \times 10^{-6} / ^\circ C \times Rt$	
Sensitivity stability			$1 \times 10^{-6} / \text{Year} \times Rt$	
Minimum weight (USP)			240 mg	
Minimum weight (U = 1%, k = 2)			16 mg	
Stabilization time			3 s	
Interface			RS 232, USB	
Power supply			13,5 ÷ 16 V DC / 2,1 A	
Adjustment / Calibration			internal (automatic)	
Pan size			ø 100 mm	
Net weight/Gross weight			9 / 12 kg	
Packaging size			685 × 405 × 495 mm	

Rt - net weight

\* Repeatability is expressed as a standard deviation from 10 weighing cycles.

\*\*\* Non-condensing conditions

**PARTNER CORPORATION**

Str. Mures nr.63, Bucuresti, Sector 1 \* Tel/fax : 021-2242257, e-mail: office@partner.com.ro , www.partner.com.ro