

PRECISION BALANCES WLY



Precision balances series WLY are the response for the growing market demands concerning simple operation and maximum automation of the weighing process.

WLY series can cooperate with barcode scanners, receipt and label printers, RFID scanners and PC peripherals (mouse, keyboard, USB flash data storage devices).

- Parts counting
- Summing function
- Filling
- Checkweighing
- Labeling
- Percent setup
- Statistics
- Formulation
- Infrared sensors

DESIGN AND FUNCTIONALITY

All models of WLY series feature stainless steel weighing pan and a touch panel covering a 5.7" colour graphic display and membrane keyboard. WLY balances can cooperate with an additional weighing platform.

WLY highlights:

- programmable display and function keys
- programmable infrared proximity sensors
- desining custom printouts
- desining text data in display's window

Data exchange through USB storage devices

- update balance software
- export weighing data

5,7" touch screen

- Infrared proximity sensors
- Programmable 40 functions (PRINT, TARE and others).

Communication interfaces

- Ethernet
- 2×RS 232
- 2×USB
- 4 in/4 out

In standard balance offers modes of "Parts counting" and "Checkweighing".

Technical data:

	WLY 1/D2	WLY 2/D2	WLY 6/D2	WLY 10/D2	WLY 20/D2
	-	-	M	-	-
Max capacity	1 kg	2 kg	6 kg	10 kg	20 kg
Minimal load	-	-	-	-	-
Readability	0,01 g	0,01 g	0,1 g	0,1 g	0,1 g
Verifying unit	-	-	-	-	-
Tare range	-1 kg	-2 kg	-6 kg	-10 kg	-20 kg
Repeatability	0,03 g	0,03 g	0,3 g	0,3 g	0,3 g
Linearity	±0,03 g	±0,03 g	±0,3 g	±0,3 g	±0,3 g
OIML class	-	-	-	-	-
Pan size	195×195 mm				
Stabilization time	3 s				
Working temperature	+15 ° - +30 °C				
Storage temperature	-25 ° - +70 °C				
IP rating	IP 54				
Power supply	110÷230VAC 50/60Hz / 10,5÷15VDC				
Calibration	external				
Display	5,7" touch screen				
Interface	2×USB, 2×RS 232, Ethernet, 4 I/O digital				
Net weight/Gross weight	2,7/3,6 kg				
Packaging size	490×300×150 mm				

Technical data:

	WLY 6/F1/R	WLY 12/F1/R	WLY 30/F1/R	WLY 60/C2/R	WLY120/C2/R
	WLY 6/F1/K	WLY 12/F1/K	WLY 30/F1/K	WLY 60/C2/K	WLY120/C2/K
	M	-	-	M	-
Max capacity	6 kg	12 kg	30 kg	60 kg	120 kg
Minimal load	-	-	-	50 g	50 g
Readability	0,1 g	0,2 g	0,5 g	1 g	2 g
Verifying unit	-	-	-	10 g	20 g
Tare range	-6 kg	-12 kg	-30 kg	-60 kg	-120 kg
Repeatability	0,3 g	0,6 g	1,5 g	3 g	2 g
Linearity	±0,3 g	±0,6 g	±1,5 g	±3 g	±2 g
OIML class	-	-	-	II	-
Pan size	300×300 mm			500×400 mm	
Stabilization time	3 s				
Working temperature	+15 ° - +30 °C				
Storage temperature	-25 ° - +70 °C				
IP rating	IP 54				
Power supply	110÷230VAC 50/60Hz / 10,5÷15VDC				
Adjustment / Calibration	external				
Display	5,7" touch screen				
Interface	2×USB, 2×RS 232, Ethernet, 4 I/O digital				
Net weight/Gross weight	6,5/7,8 kg				
Packaging dimensions	550×420×220 mm				

Extra charge for dual range version (WLY/F1; WLY/C2 non approved model only)

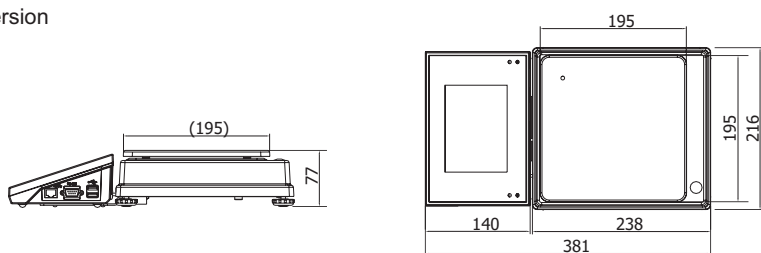
PARTNER CORPORATION

Str. Mures nr.63,Bucuresti ,Sector 1 * Tel/fax : 021-2242257 * e-mail:office@partner.com.ro * www.partner.com.ro

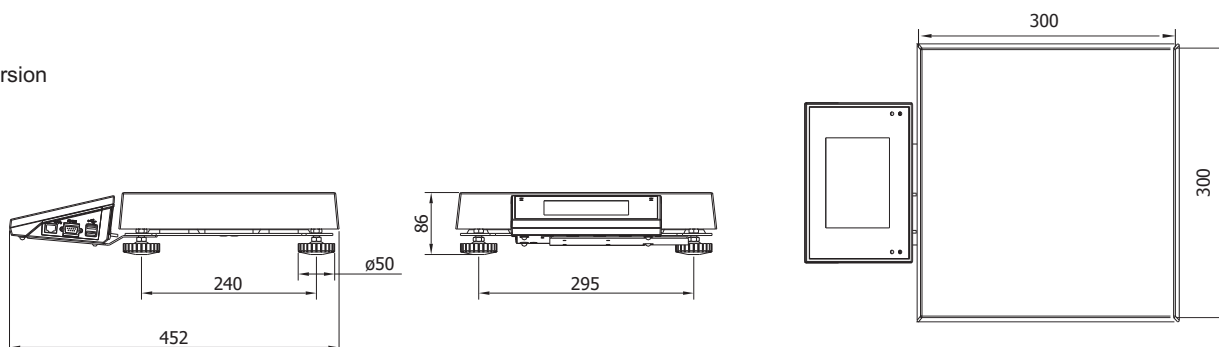
Additional equipment:

"Kafka" thermal printer	Handle for PUE 7 indicator
"Epson" impact printer	Barcode scanner
"Citizen" label printer	Transponder card scanner CK-01
Computer software „PW-WIN”	Weighing module DP2
Computer software „RAD-KEY”	RS 232 cable: balance - thermal printer: P0136
LCD display „WD-4/4”	RS 232 cable: balance - "Epson/Citizen" printer: P0151
PC keyboard	RS 232 cable: balance - computer: P0108
Calibration weight	Power adapter with jack for car lighter „K0047”
Mass standard	

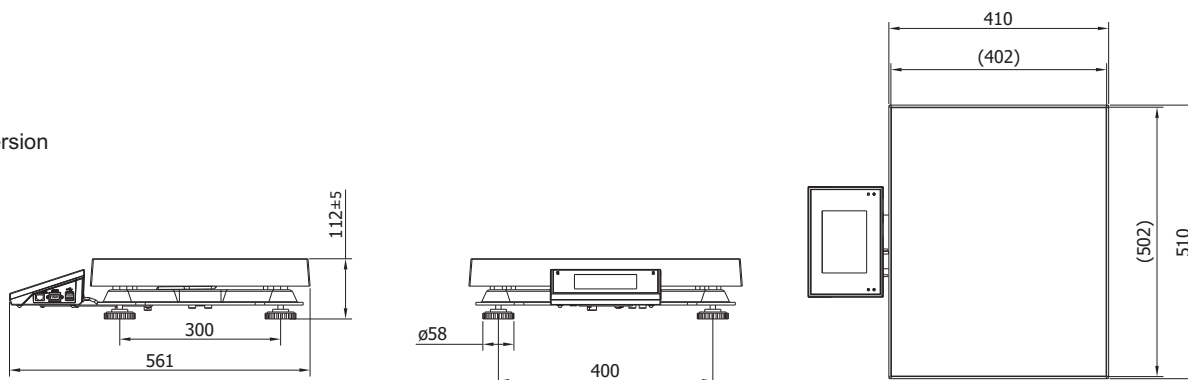
D2 version



F1 version



C2 version



PARTNER CORPORATION

Str. Mures nr.63,Bucuresti ,Sector 1 * Tel/fax : 021-2242257 * e-mail:office@partner.com.ro * www.partner.com.ro