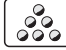


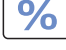




PRECISION BALANCES PARTNER WLC



Balances series WLC are designed for fast and precise mass determination in laboratory and industrial conditions. They can also be used in areas with no access to mains (230V), as their standard equipment they include internal rechargeable battery and RS 232 output. All kinds of this balance (pan size: 128×128, 125×145, 195×195, 290×360 and 400×500 mm) are equipped with stainless steel weighing platform and backlit LCD display providing good reading of weighing result.

Balances WLC A2 have possibility of weighing loads outside weighing platform (so called under hook weighing), where a load is hanged under the instrument. This is an alternative for weighing loads with non-standard dimensions and shapes.

-  Counting pieces
-  Checkweighing
-  Animal weighing
-  Percentage
-  Caps lock of max indication
-  Measurement in Newton

Technical data:

	WLC 0,6/B1*	WLC 1/A2	WLC 2/A2	WLC 6/A2*	WLC 10/A2	WLC20/A2
Max capacity	0,6 kg	1 kg	2 kg	6 kg	10 kg	20 kg
Readability	0,01 g	0,01 g	0,01 g	0,1 g	0,1 g	0,1 g
Tare range	-0,6 kg	-1 kg	-2 kg	-6 kg	-10 kg	-20 kg
Repeatability	0,01 g	0,03 g	0,03 g	0,2 g	0,2 g	0,2 g
Linearity	±0,01 g	±0,03 g	±0,03 g	±0,2 g	±0,2 g	±0,2 g
Pan size	125 × 145 mm	195 × 195 mm				
Power supply	230V / 11V AC or 120V / 11V AC, and accumulator					
IP rating	IP 43					
Stabilization time	3 s					
Working temperature	+15° - +30 °C					
Display	LCD (backlit)					

* verified balances

Technical data:

	WLC 6/F1/R* WLC 6/F1/K*	WLC 12/F1/R WLC 12/F1/K	WLC 30/F1/R WLC 30/F1/K	WLC 60/C2/R* WLC 60/C2/K*	WLC 120/C2/R WLC 120/C2/K
Max capacity	6 kg	12 kg	30 kg	60 kg	120 kg
Readability	0,1 g	0,2 g	0,5 g	1 g	2 g
Tare range	-6 kg	-12 kg	-30 kg	-60 kg	-120 kg
Repeatability	0,1 g	0,6 g	1,5 g	1 g	6 g
Linearity	±0,3 g	±0,6 g	±1,5 g	±3 g	±6 g
Pan size	300 × 300 mm			400 × 500 mm	
Power supply	230V / 11V AC or 120V / 11V AC, and accumulator				
IP rating	IP 43				
Stabilization time	3 s				
Working temperature	+15° - +30 °C				
Display	LCD (backlit)				

Extra charge for dual range version (WLC/F1; WLC/C2 non approved model only)

* verified balances

Additional equipment:

"KAFKA" THERMAL PRINTER

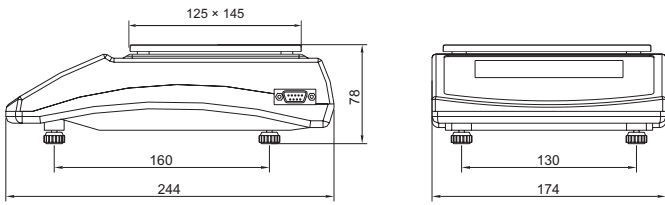
NEEDLE PRINTER "EPSON"

RACK FOR UNDER HOOK WEIGHING

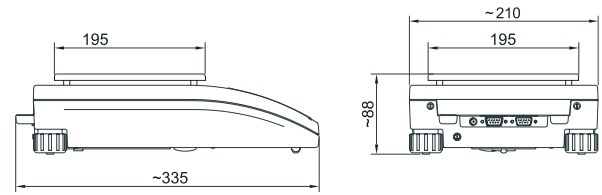
SUITCASE FOR BALANCE

COMPUTER SOFTWARE PW-WIN 2005, RAD-KEY 2000, REC-FS 2000

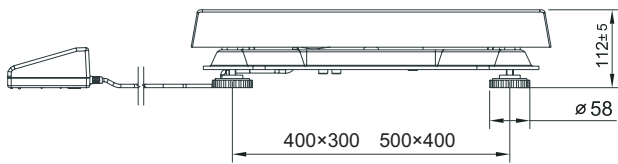
B1 version



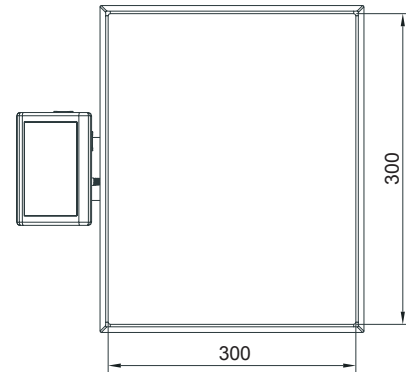
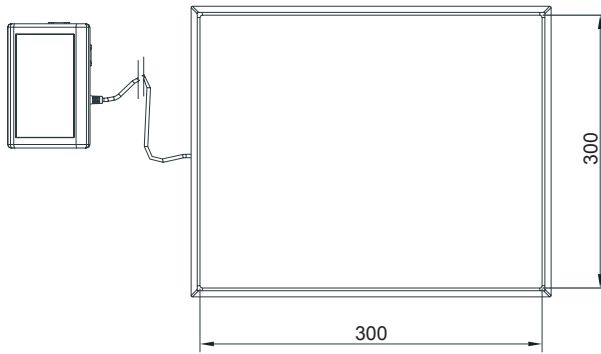
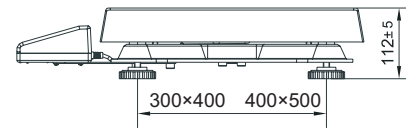
A2 version



/K version



/R version



PARTNER CORPORATION

Str. Mures nr.63,Bucuresti ,Sector 1 * Tel/fax : 021-2242257 * e-mail:office@partner.com.ro * www.partner.com.ro